

LITHIUM

LiFePO4

LITHIUM (LiFePO4) | High Performance

REF **BSLi-09**



12_v VOLTAGE

90_{Wh} ENERGY

480_A CCA - A (EN)

TECHNOLOGY

- Lithium Iron Phosphate cells construction
- Pre-charged batteries
- Homologated by OEM

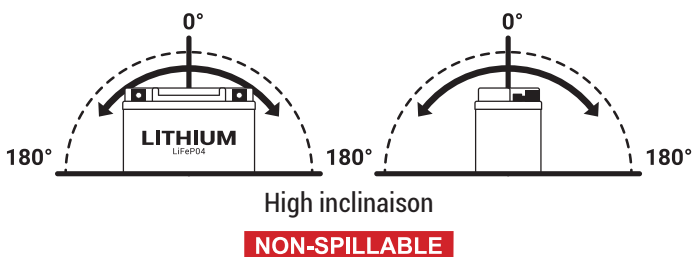
FEATURES

- Fast charging
- Multi-positioning mounting
- Very safe and environmental friendly
- Extensive cycle life: over 2000 cycles
- Very low self-discharge
- Cold temperature performance
- Waterproof design
- Ready to use: just plug and play
- Robust brass terminals
- Heat resistance: up to 230°C
- Lighter weight

REPLACEMENTS

SLA	MF	DRY
BTX16	BTX16-BS	BB16-B
BTX16H	BTX16-BS-1	BB16B-A/A1
BTX20	BTX20-BS	HBB16A-A/AB
BTX20CH	BTX20CH-BS	BB18-A
	BTX20A-BS	

MOUNTING ANGLE

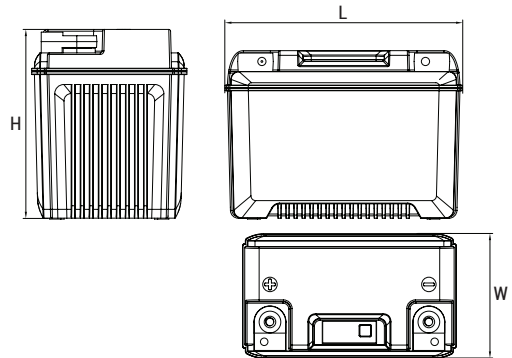


OPERATING TEMP. RANGE

Charge temperature:	0°C to 45°C
Discharge temperature:	-20°C to 55°C
Storage temperature:	0°C to 30°C

DIMENSIONS & WEIGHT

Length (L):	148mm ±1mm
Width (W):	86mm ±1mm
Height (H):	105mm ±2mm
Weight:	1.28kg (tolerance ±3%)



TERMINALS (mm)

